

| Modèle | C.M.U. | | Vitesse | | Dimensions mm | | | | | | | | | | | | | Poids |
|--------|--------------------------|---------------------------|-----------------------------|------------------------------|---------------|----|-----|-----|-----|-----|----|----|----|-----|-----|-----|----|--------|
| Model | W.L.L. | | Speed | | Dimensions mm | | | | | | | | | | | | | Weight |
| | Direct / Direct kg | Moufle / Sheaved kg | Direct / Direct m/min | Moufle / Sheaved m/min | A | B | C | D | E | F | G | H | I | J | K | L | M | kg |
| TR30S | 300 | 600 | 13 | 6,5 | 430 | 20 | 212 | 642 | 224 | 181 | 90 | 20 | 20 | 347 | 492 | 302 | 15 | 31 |
| TR50 | 500 | 950 | 7 | 3,5 | 430 | 20 | 212 | 642 | 224 | 181 | 90 | 20 | 20 | 347 | 492 | 302 | 15 | 31 |

Ø câble
Ø wire rope

6,5 mm

Motorisation 1 phase

Power supply 1 phase

Commande en tension directe / Direct controls

115 V - 230 V

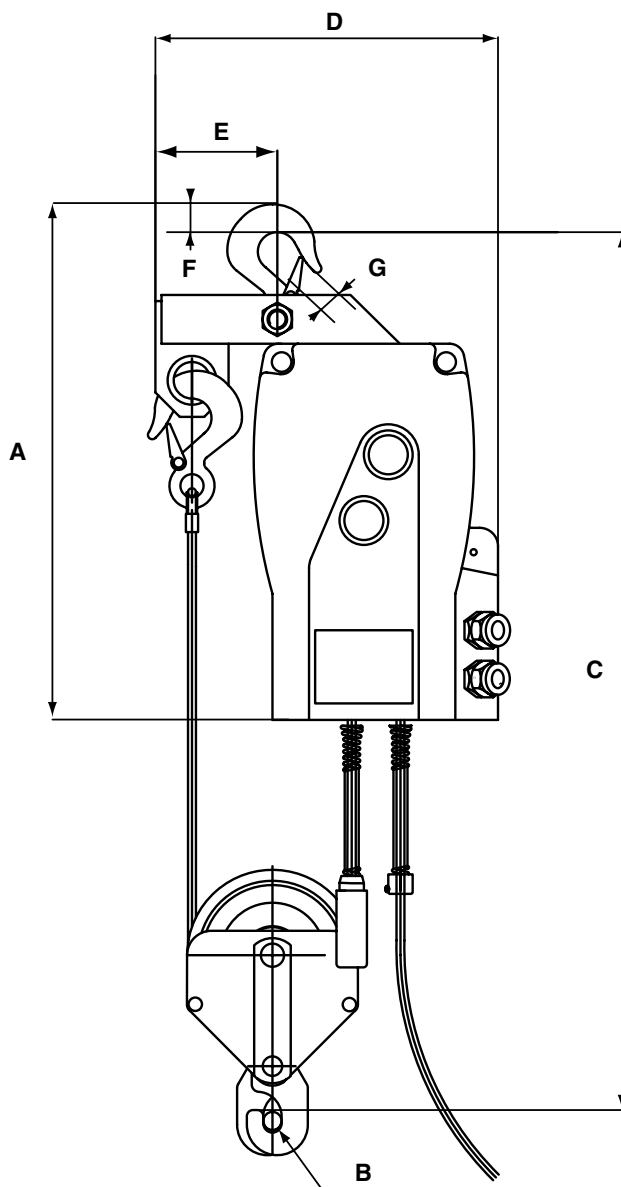
Motorisation 3 phases

Power supply 3 phases

Commande en basse tension 48V / Low voltage controls 48V

I.P. 55

400 V



| Modèle | C.M.U. | | Vitesse | | Dimensions mm | | | | | | | Poids |
|--------|--------------------------|--------------------------|-----------------------------|-----------------------------|---------------|----|-----|-----|-----|----|----|--------|
| Model | W.L.L. | | Speed | | Dimensions mm | | | | | | | Weight |
| | Direct / Direct kg | Moufle/ Sheaved kg | Direct / Direct m/min | Moufle/ Sheaved m/min | A | B | C | D | E | F | G | kg |
| TR30S | 300 | 600 | 13 | 6,5 | 421 | 15 | 720 | 281 | 100 | 20 | 20 | 35 |
| TR50 | 500 | 950 | 7 | 3,5 | 421 | 15 | 720 | 281 | 100 | 20 | 20 | 35 |

Ø câble

6,5 mm

Ø wire rope

Motorisation 1 phase

Power supply 1 phase

Commande en tension directe / Direct controls

115 V - 230 V

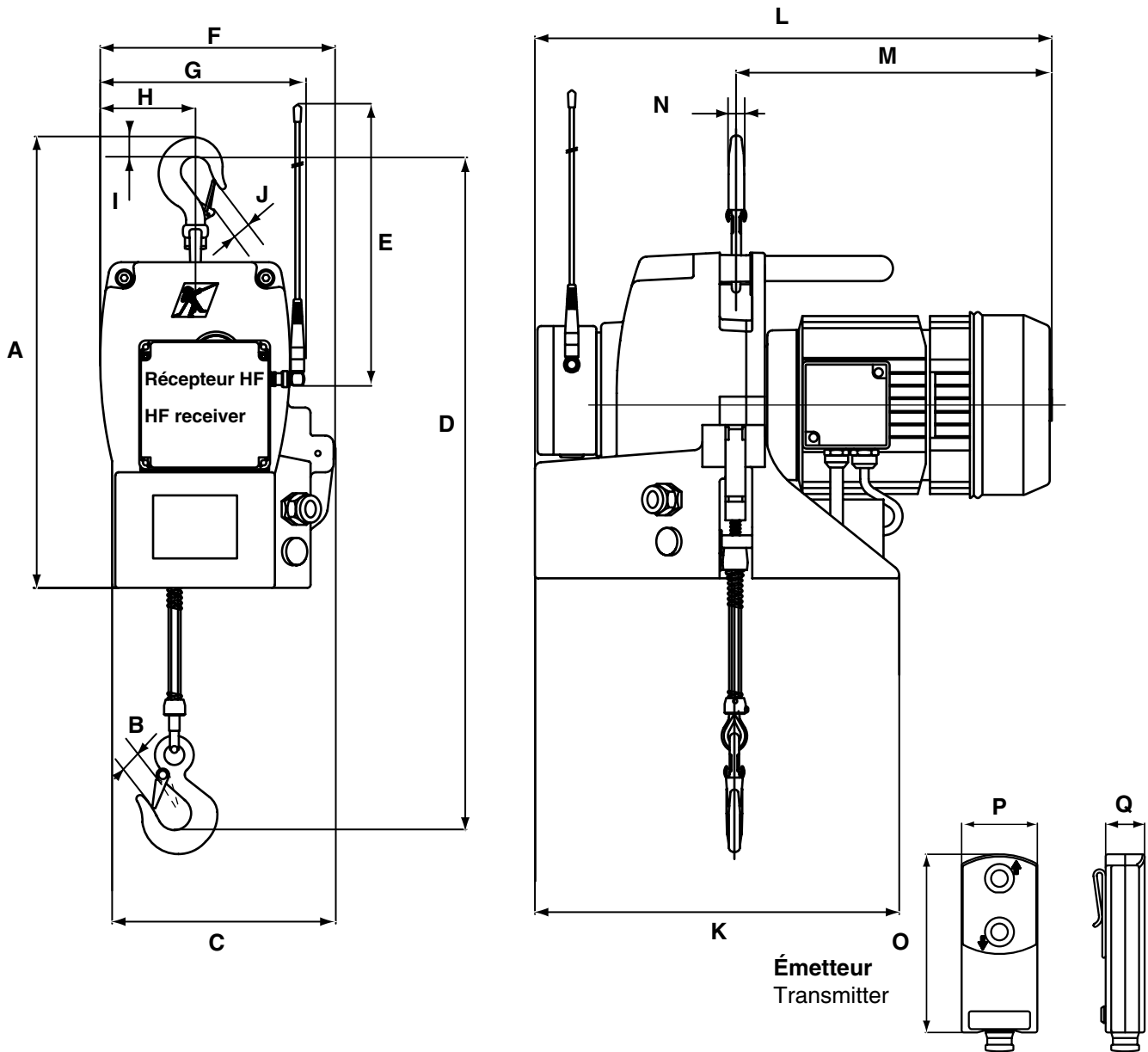
Motorisation 3 phases

Power supply 3 phases

Commande en basse tension 48V / Low voltage controls 48V

I.P. 55

400 V



| Modèle | C.M.U. | | Vitesse | | Dimensions mm | | | | | | | | | | | | | | | | | Poids |
|--------|--------------------------|---------------------------|-----------------------------|------------------------------|---------------|----|-----|-----|-----|-----|-----|----|----|----|-----|-----|-----|----|-----|----|----|--------|
| Model | W.L.L. | | Speed | | Dimensions mm | | | | | | | | | | | | | | | | | Weight |
| | Direct / Direct kg | Moufle / Sheaved kg | Direct / Direct m/min | Moufle / Sheaved m/min | A | B | C | D | E | F | G | H | I | J | K | L | M | N | O | P | Q | kg |
| TR30S | 300 | 600 | 13 | 6,5 | 430 | 20 | 212 | 642 | 355 | 224 | 194 | 90 | 20 | 20 | 347 | 492 | 302 | 15 | 160 | 68 | 35 | 33 |
| TR50 | 500 | 950 | 7 | 3,5 | 430 | 20 | 212 | 642 | 355 | 224 | 194 | 90 | 20 | 20 | 347 | 492 | 302 | 15 | 160 | 68 | 35 | 33 |

Ø câble
Ø wire rope

6,5 mm

Motorisation 1 phase* / 3 phases**
Power supply 1 phase* / 3 phases**

115 V - 230 V / 400 V

Commande radio

Portée
Radio control
Up to
I.P. 55

433 MHz (418 MHz -> 115 V)
50 m

*Commande en tension directe / Direct controls

**Commande en basse tension 48V / Low voltage controls 48V